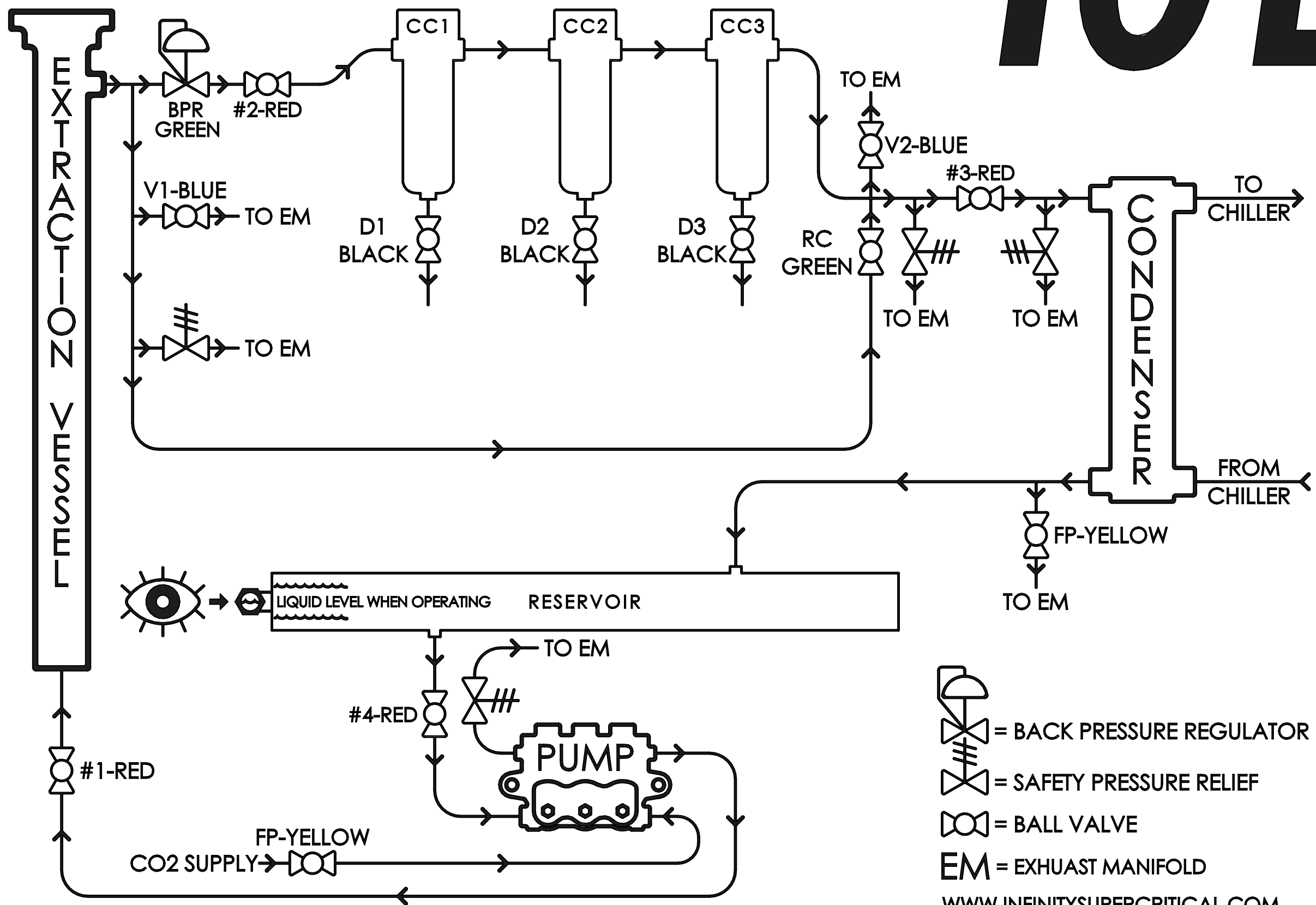




INFINITY SUPERCritical 10L



 = BACK PRESSURE REGULATOR
 = SAFETY PRESSURE RELIEF
 = BALL VALVE
 EM = EXHAUST MANIFOLD
WWW.INFINITYSUPERCritical.COM